

## Poly-crystalline Solar (60 Cells)

- ✓ High-performance solar modules offering higher efficiency, lower installation costs
- ✓ 60 high - quality poly-crystalline cells per module
- ✓ Tested to IEC 61215, IEC 61730, CE, RoHS
- ✓ 25-year linear performance warranty
- ✓ Manufactured with international quality standards & environment management system ISO 9001 & ISO 14001, 8001

Helios Solar Works manufactures high-performance mono-crystalline and poly-crystalline solar modules for solar electric systems. We use only high-quality components and an advanced, automated manufacturing platform to offer modules that deliver higher efficiency, lower installation costs, and a smaller system footprint.

Helios Solar Works is headquartered in Milwaukee, Wisconsin. We manufacture our modules using the best materials sourced from regional and partner manufacture

### TYPE

CHN 60P

### CHARACTERISTICS

Dimension: 1,640 mm x 990 mm  
(64.57" x 38.98")  
Area: 1.62m<sup>2</sup> (17.44 Sq Ft)  
Thickness: 35 mm (1.378")  
Weight: 19 kg (41.89 lbs)

### OUTPUT CLASSES

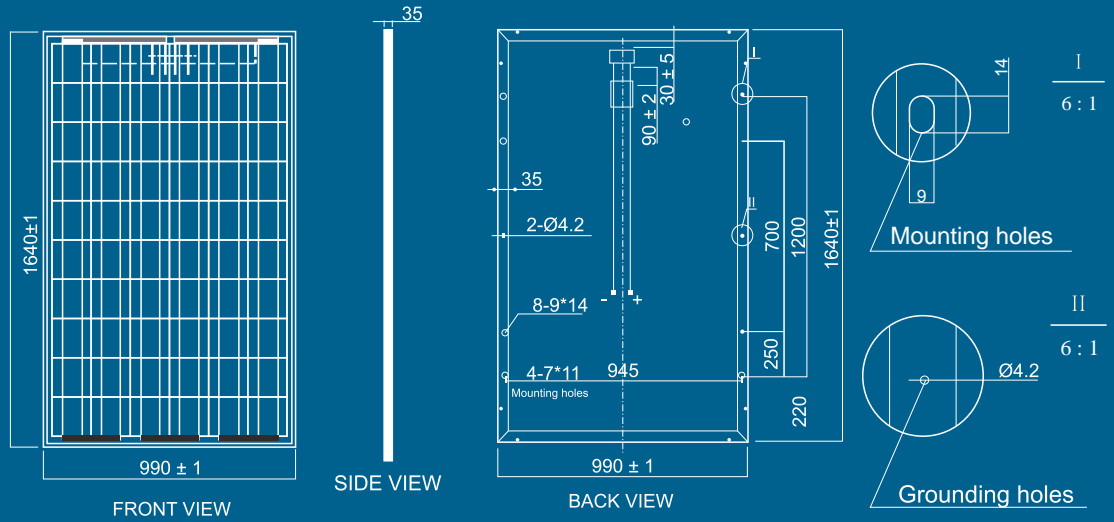
230 Wp, 250 Wp, 265 Wp

### WARRANTY

10-years manufacturing warranty  
12-years warranty 90% power output  
25-years warranty 80% power output



# DIMENSION



## ELECTRICAL CHARACTERISTIC

	230Wp	250Wp	265Wp
Maximum Power at STC (Pmax)	= 230W	250W	265W
Short Circuit Current (Isc)	= 8.6A	8.71A	8.94A
Open Circuit Voltage (Voc)	= 36.2V	36.3V	37.0V
Maximum Power Current (Imp)	= 7.9A	8.17A	8.54A
Maximum Power Voltage (Vmpp)	= 29.1V	30.6V	31.0V
Encapsulated Cell Efficiency	= -	-	-
Module Efficiency	= 14.17%	15.40%	16.32%
Power Tolerance	= 0~+3%	0~+3%	0~+3%

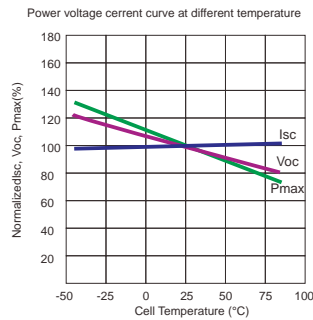
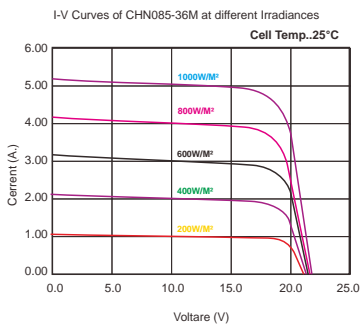
Measured at (STC) Standard Test Conditions 25° C, insolation 1,000 W/m<sup>2</sup>, AM 1.5.

## TEMPERATURE CHARACTERISTIC

Norminal Operating Cell Temperatur (NOCT)	= 45°C±2°C
Temperature Coefficient of Pmax	= -0.44%/°C
Temperature Coefficient of Voc	= -0.34%/°C
Temperature Coefficient of Isc	= 0.06%/°C

## PACKING CONFIGURATION

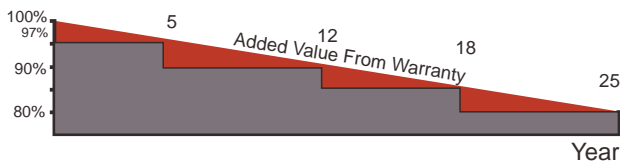
Container	= 20'GP	40'GP
Pieces per pallet	= 30	30
Pallets per container	= 14	28
Pieces per container	= 400	840



## SYSTEM INTEGRATION PARAMETERS

Maximum system voltage	DC 1000V
Maximum Series Fuse	15A
Increased snowload acc. to IEC 61215	5400Pa
Operating Temperature	-40to+85°C
Number of bypass diodes	3 or 6

## INDUSTRY-LEADING WARRANTY BASED ON NOMINAL POWER



- Based on nominal power (pnom)
- 25-year transferrable power output warranty : 5 years/95%, 12 years/90%  
18 years/85%, 25 years/8-%
- 10-year material and workmanship

## QUALIFICATIONS AND CERTIFICATES

